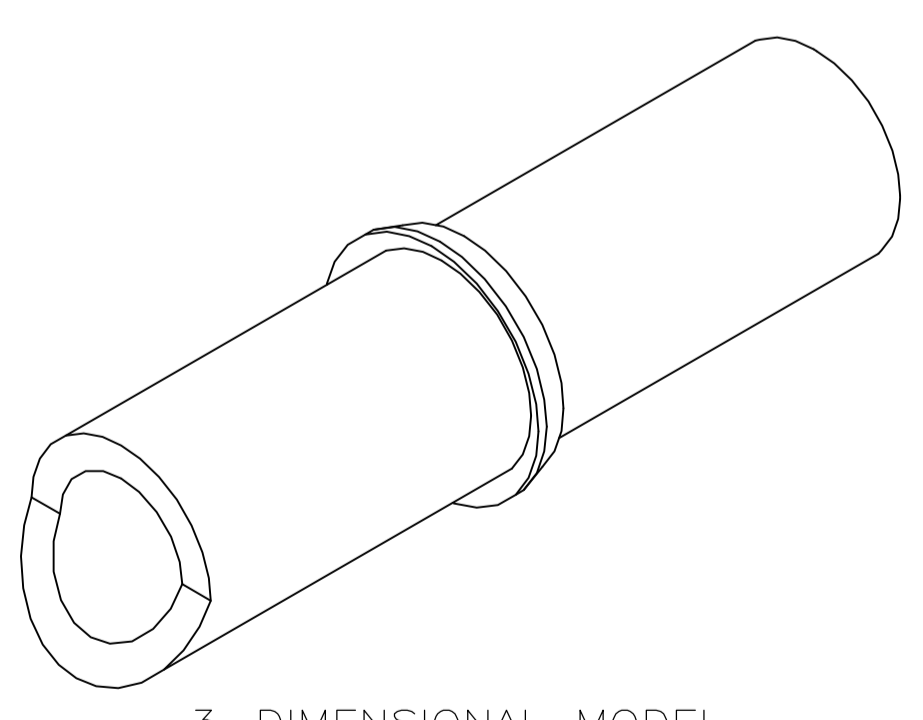
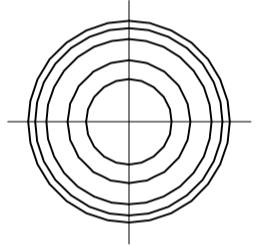
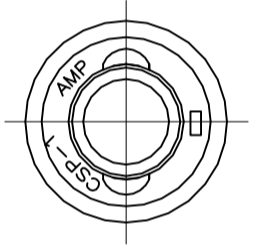
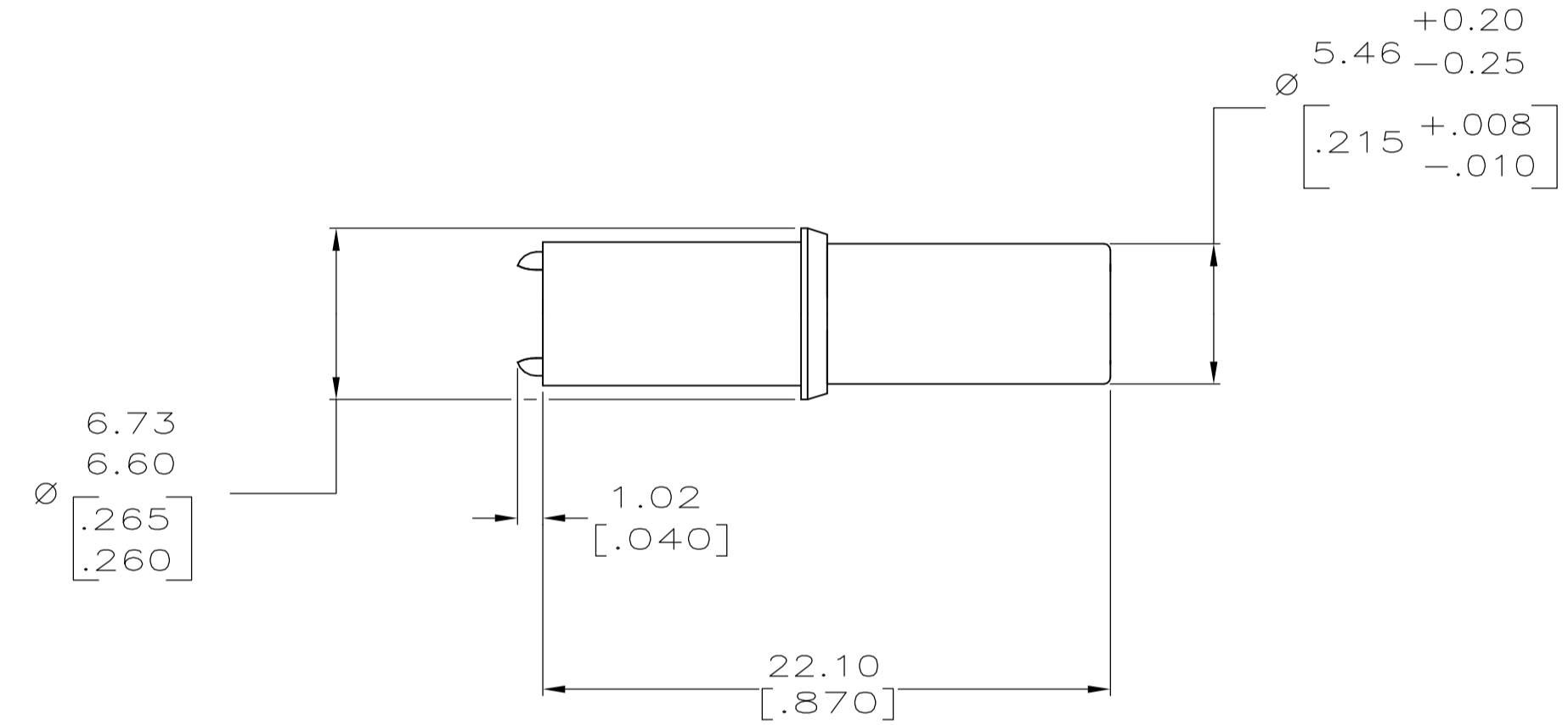
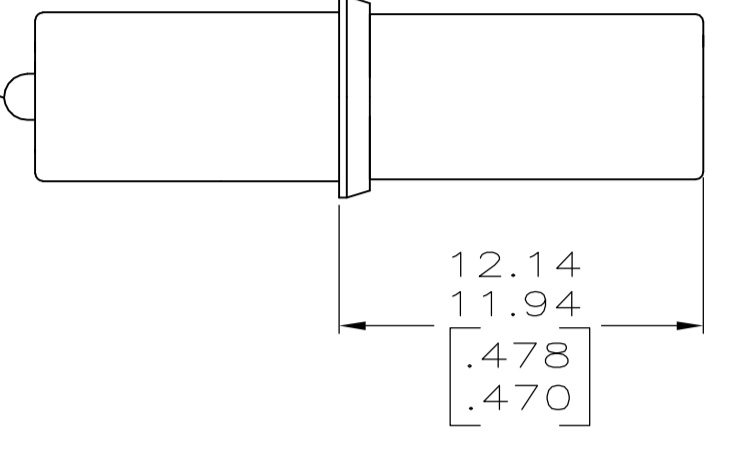


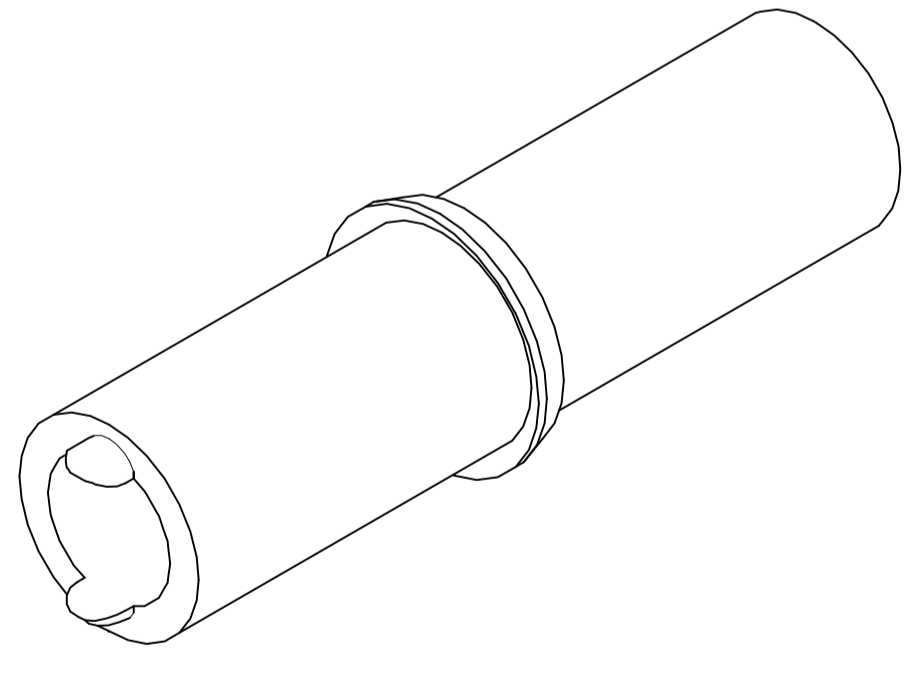
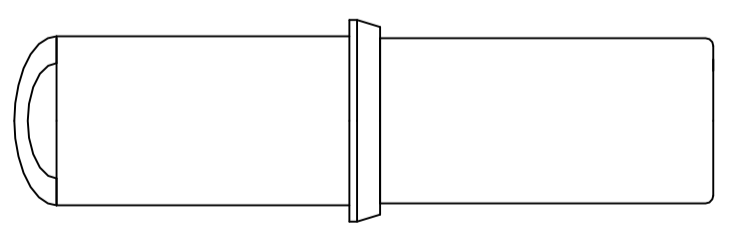
LOC		DIST		REVISIONS			
P	LTR	DESCRIPTION	DATE	DNW	APVD		
K1		REVISED PER ECO-11-004820	11MAR11	RK	HMR		

1. TO BE USED WITH APPROPRIATE COMMERCIAL MATE-N-LOK SOCKETS.
2. MATES WITH CAP 480350 OR 480351.
3. DIMENSIONS IN BRACKETS ARE IN INCHES.

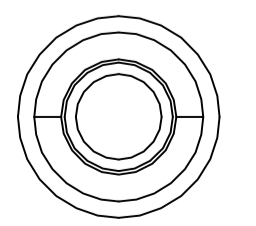
WIRE END IDENTIFICATION



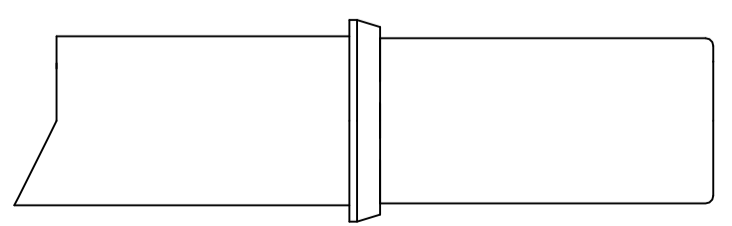
3-DIMENSIONAL MODEL
NTS



3-DIMENSIONAL MODEL
NTS



ALTERNATE CONSTRUCTION
(FOR FOREIGN PRODUCTION ONLY)



METRIC

BLUE	1-480349-6
GREEN	1-480349-5
RED	1-480349-2
NATURAL	1-480349-0
COLOR	PART NO.

THIS DRAWING IS A CONTROLLED DOCUMENT.		DIN 3-8-94		K. SALMON	
DIMENSIONS: INCHES		TOLERANCES UNLESS OTHERWISE SPECIFIED:		CHK 3-8-94	
0. PLC ± -		1. PLC ± -		APVD R. SWING	
2. PLC ± 0.13[.005]		3. PLC ± -		C. MARTIN	
4. PLC ± -		ANGLES ± -		NAME	
MATERIAL NYLON		FINISH -		PRODUCT SPEC	
WEIGHT -		SIZE A1		CAGE CODE 00779	
CUSTOMER DRAWING		SCALE 4:1		DRAWING NO. 480349	
		SHEET 1 OF 1		RESTRICTED TO	
				REV K1	

STE TE Connectivity

TM
PLUG,
SINGLE CIRCUIT,